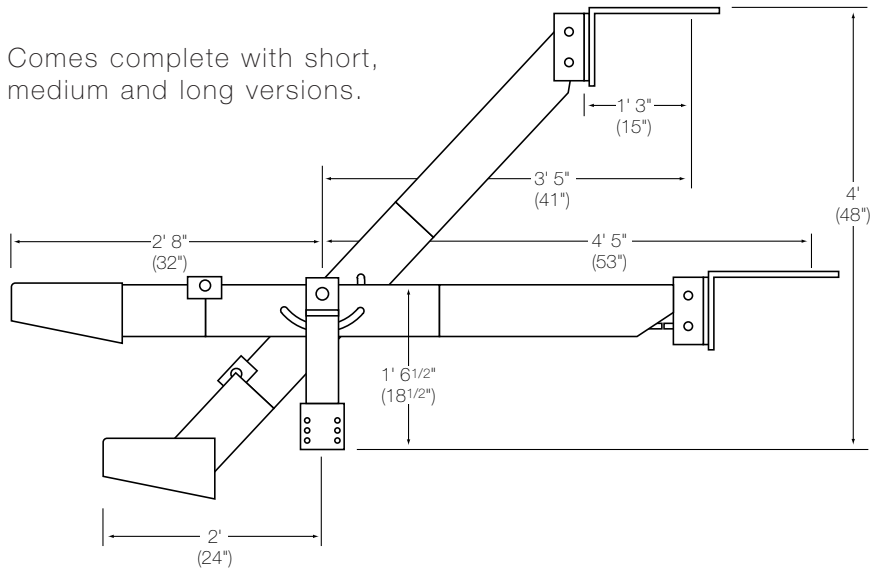


# AEROJIB SHORT

## Aerocrane

Comes complete with short, medium and long versions.



## Technical Specifications

### Length

Pivot to Nose	4' 5" (53")
Pivot to Bucket	2' 8" (32")
Nose to Bucket	7' 1" (85")
Length@Max Ht.	3' 5" (41")

### Max Weight on Arm

100 lbs.

### Weights

Large	28 lbs.
Small	13 lbs.

### Carrying Weight

With Basic Accessories 100 lbs.

### Transportation Weight

Approx. 400 lbs.

### Above Ground Height

Ground Level to Max	4' (48")
---------------------	----------

### Below Ground Height

Ground Level to Min.	-1' (-12")
----------------------	------------

### Set-Up Time

5-10 minutes

### Arm Dimensions

2 1/4" W x 6 1/4" H

### Window Clearance

Approximately 5"

## Accessories

### Standard

- Mitchell Mount Nose
- Ball Mount Nose
- Euro Mount Nose
- Mitchell Mount Base Plate
- Euro Mount Base Plate
- 10 Large Weight @28 lbs.
- 4 Small Weight @13 lbs.

### Optional

- Aeroslider (See Aeroslider page following Aero Jib Arms)

## Features

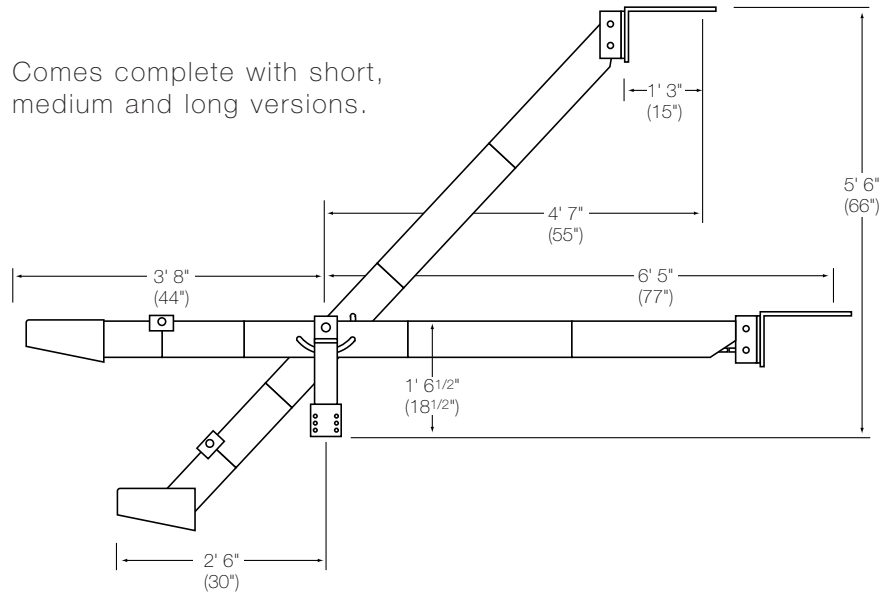
- Quick set-up time
- Weather proof
- Adjustable drag for pan and tilt
- Movable counter-weight
- Camera can be top mounted or underslung



# AEROJIB MEDIUM

## Aerocrane

Comes complete with short, medium and long versions.



## Technical Specifications

### Length

Pivot to Nose	6' 5" (77")
Pivot to Bucket	3' 8" (44")
Nose to Bucket	10' 1" (121")
Length@Max Ht.	4' 7" (55")

### Max Weight on Arm

100 lbs.

### Weights

Large	28 lbs.
Small	13 lbs.

### Carrying Weight

With Basic Accessories 100 lbs.

### Transportation Weight

Approx. 400 lbs.

### Above Ground Height

Ground Level	
to Max	5' 6" (66")

### Below Ground Height

Ground Level	
to Min.	-2' (-24")

### Set-Up Time

5-10 minutes

### Arm Dimensions

2 1/4" W x 6 1/4" H

### Window Clearance

Approximately 5"

## Accessories

### Standard

- Mitchell Mount Nose
- Ball Mount Nose
- Euro Mount Nose
- Mitchell Mount Base Plate
- Euro Mount Base Plate
- 10 Large Weight @28 lbs.
- 4 Small Weight @13 lbs.

### Optional

- Aeroslider (See Aeroslider page following Aero Jib Arms)

## Features

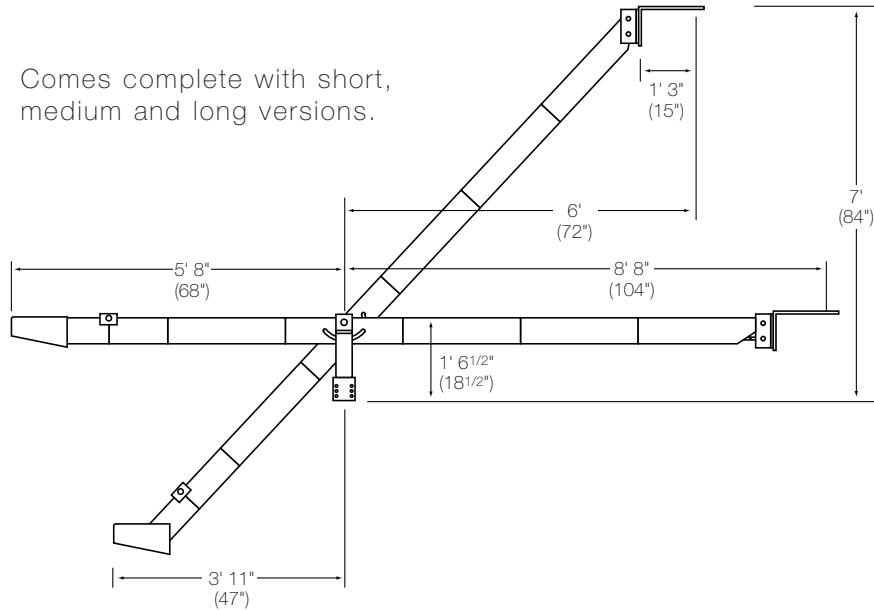
- Quick set-up time
- Weather proof
- Adjustable drag for pan and tilt
- Movable counter-weight
- Camera can be top mounted or underslung



# AEROJIB LONG

## Aerocrane

Comes complete with short, medium and long versions.



## Technical Specifications

### Length

Pivot to Nose	8' 8" (104")
Pivot to Bucket	5' 8" (68")
Nose to Bucket	14' 4"
Length@Max Ht.	6' (72")

### Max Weight on Arm

100 lbs.

### Weights

Large	28 lbs.
Small	13 lbs.

### Carrying Weight

With Basic Accessories 100 lbs.

### Transportation Weight

Approx. 400 lbs.

### Above Ground Height

Ground Level  
to Max 7' (84")

### Below Ground Height

Ground Level  
to Min. -4' (-48")

### Set-Up Time

5-10 minutes

### Arm Dimensions

2 1/4" W x 6 1/4" H

### Window Clearance

Approximately 5"

## Accessories

### Standard

- Mitchell Mount Nose
- Ball Mount Nose
- Euro Mount Nose
- Mitchell Mount Base Plate
- Euro Mount Base Plate
- 10 Large Weight @28 lbs.
- 4 Small Weight @13 lbs.

### Optional

- Aeroslider (See Aeroslider page following Aero Jib Arms)

## Features

- Quick set-up time
- Weather proof
- Adjustable drag for pan and tilt
- Movable counter-weight
- Camera can be top mounted or underslung

