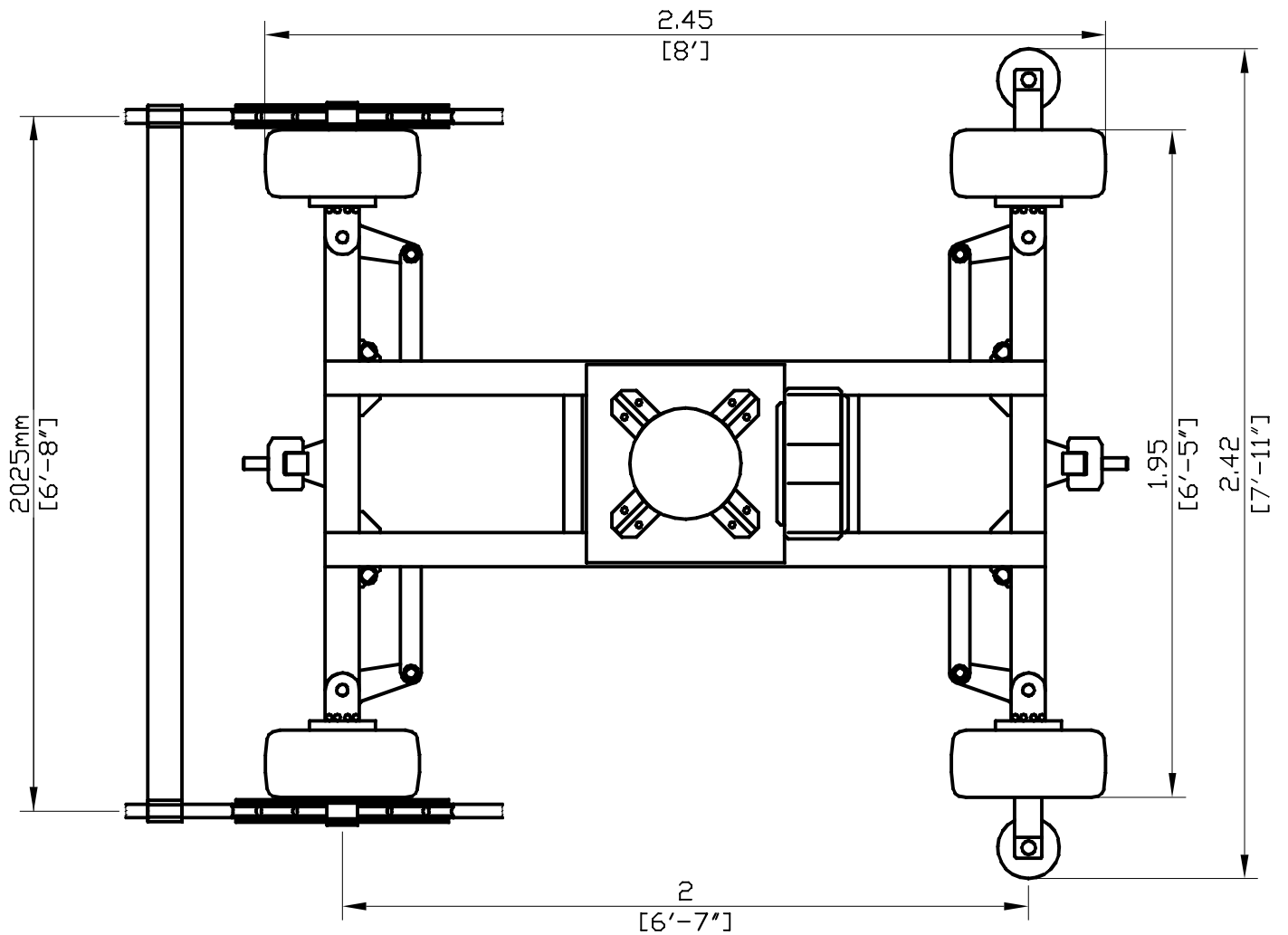
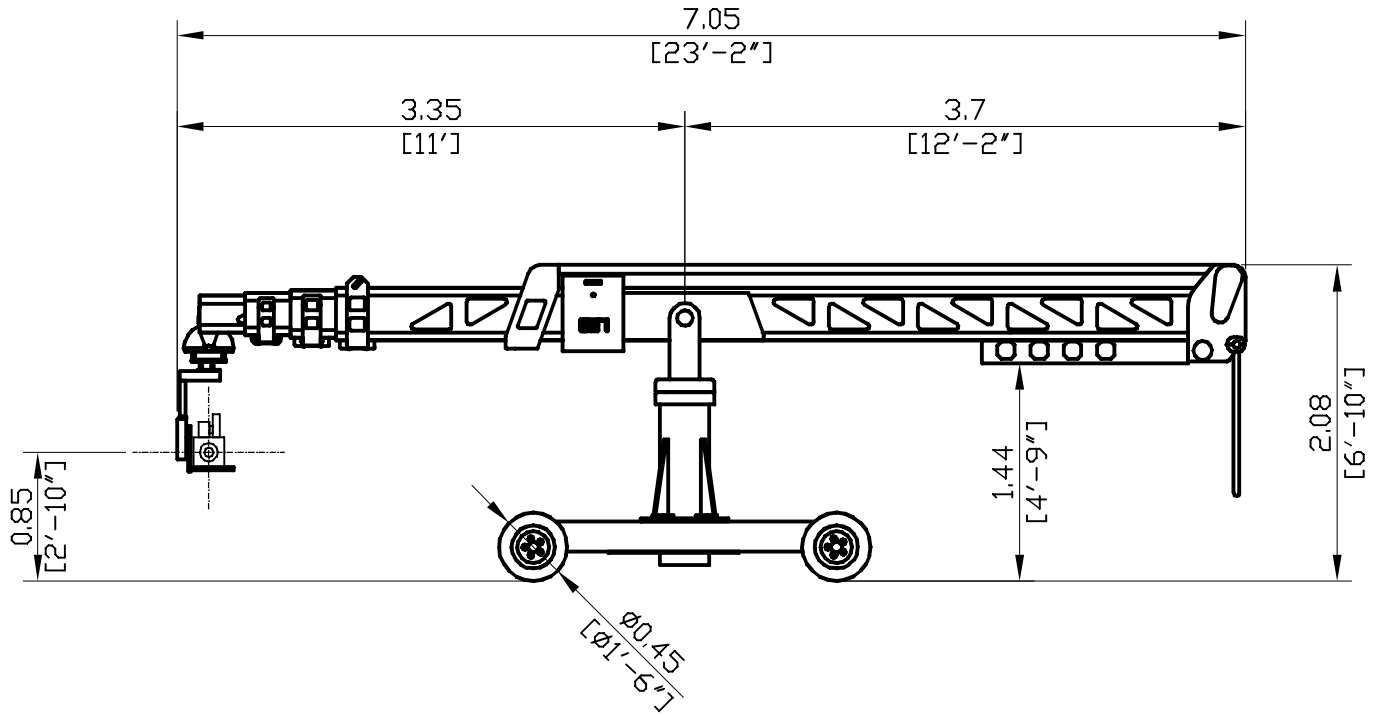


SUPERTECHNO 50

Max. lens height:	15,1 m / 50 ft.
Max. telescopic extent:	11,4 m / 37 ft.
Max. camera weight:	35 kg / 80 lb
Total weight:	2300 kg / 5100 lb
Max. speed:	0 - 2,0 m/s



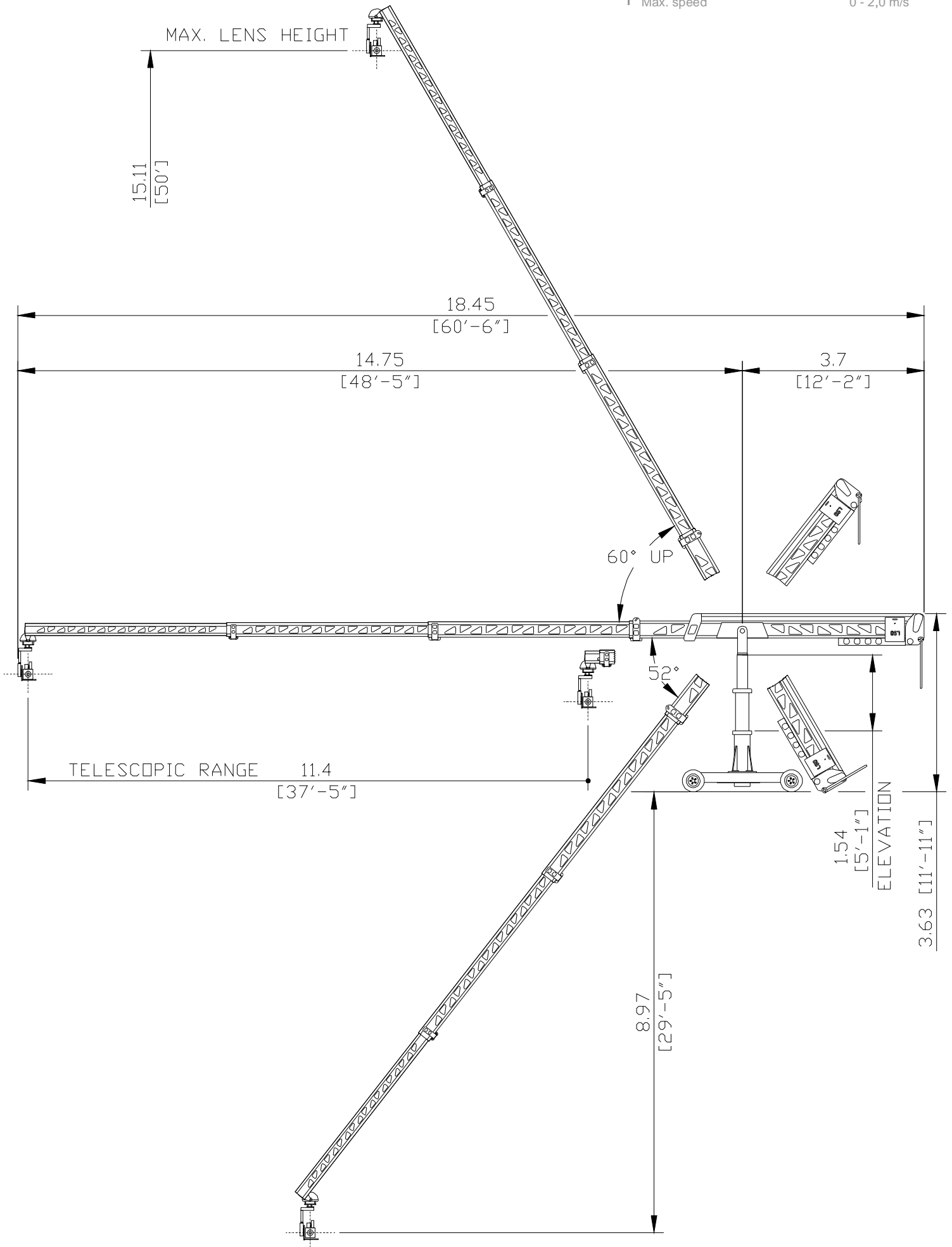
SUPERTECHNO 50

Max. lens height:
Max. telescopic extent:
Max. camera weight:
Total weight:

15,1 m / 50 ft.
11,4 m / 37 ft.
35 kg / 80 lb
2300 kg / 5100 lb

Max. speed

0 - 2,0 m/s





Super Techno Crane 50' Weight Specs

	kg	lbs
Dolly	576	1267
Column	412	906
Telescopic beam unit	740	1628
Counterweights (56 x 13.5 kg)	756	1663
Mo-Sys Head	28	60
Supertechno 50 (incl. 20 kg camera)	2536	5622

